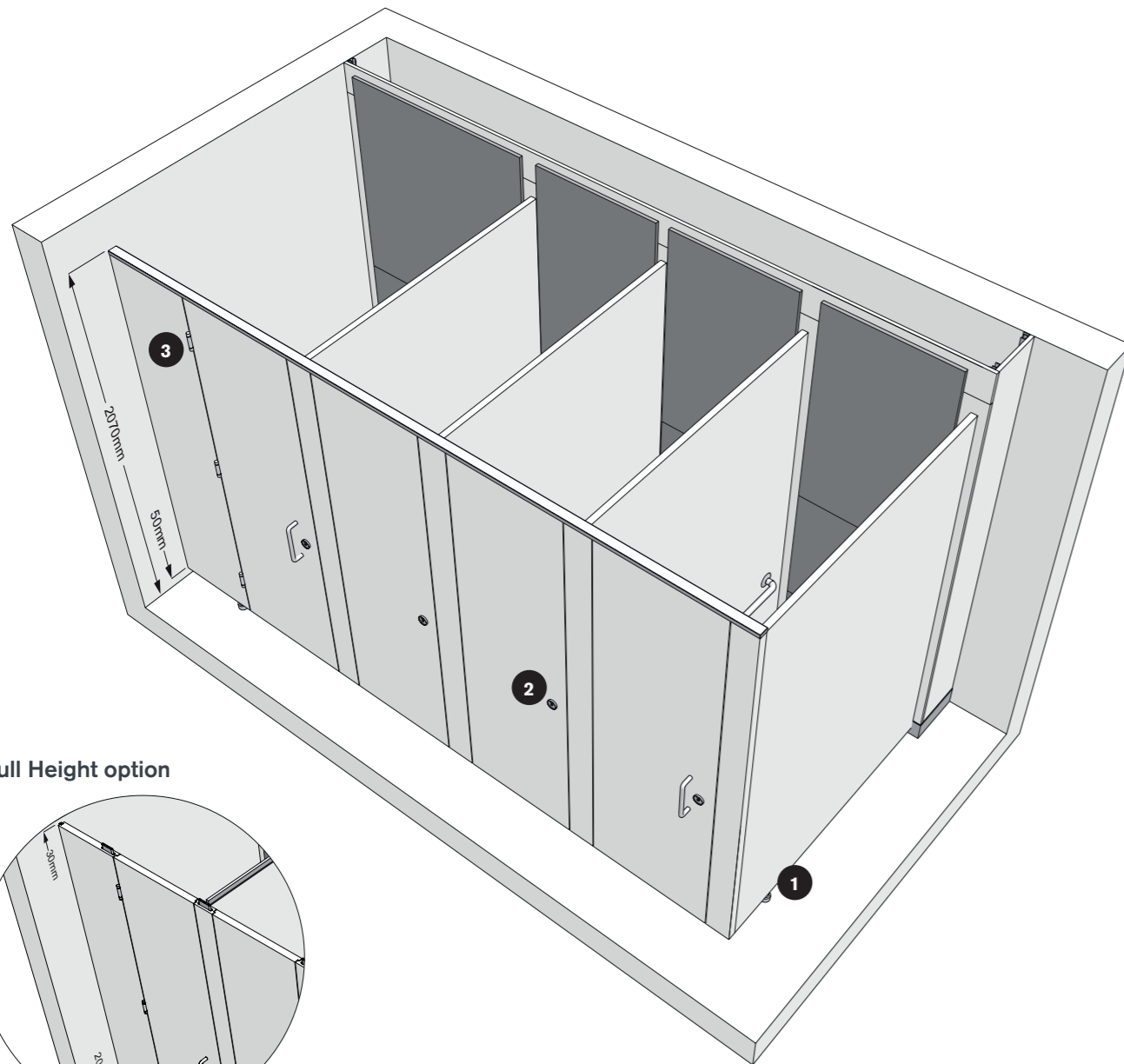
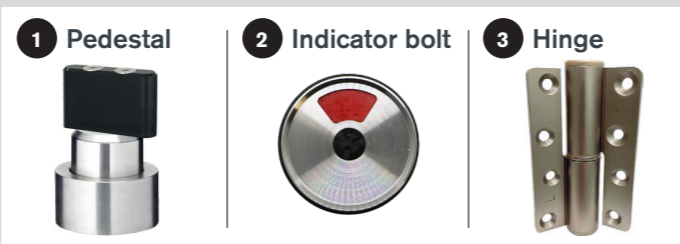
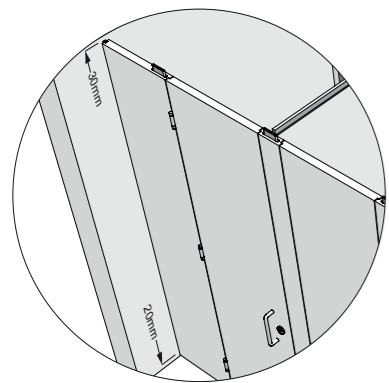


Technical Specifying Infinite



Full Height option



Dimensions

Infinite

Overall height
2070mm

Maximum height
2840mm

Maximum depth
2095mm

Floor clearance
50mm

Minimum ceiling clearance
20mm

Infinite Full Height
Maximum height
2820mm

Maximum depth
2045mm

Floor clearance
20mm

Minimum ceiling clearance
30mm

Bespoke

Infinite cubicles can be specified in various configurations, the images on pages 84-87 are indicative of what can be achieved using a combination of components available.

Performance

Available in four material options, Infinite is suitable for even the most prestigious environments allowing you to specify with confidence.

HPL

Doors and pilasters are 44mm nominal thickness with an MDF core, partitions are 25mm nominal thickness.

ColourCoat

Doors and pilasters are 44mm nominal thickness MDF, partitions are 25mm MDF, both are sprayed with a coat of primer and finished with 20% gloss pigmented lacquer.

ColourCoat High Gloss

Doors and pilasters are 44mm nominal thickness MDF, partitions are 25mm MDF, both are sprayed with a coat of primer and finished with 80% gloss pigmented lacquer.

Veneer

Doors and pilasters are 44mm nominal thickness chipboard faced with real wood veneer, partitions are 25mm MDF core faced with real wood veneer. Door, pilaster and partition edging in complementing ABS from the Venesta standard colour range.

Detailing

Panels and doors

Available in HPL, ColourCoat, ColourCoat High Gloss and Veneer.

Colour finish

HPL
34 colours from the standard range.
ColourCoat and ColourCoat High Gloss
Any RAL classic colour, excluding metallic and fluorescent colours.

Veneer

11 Alpi real wood veneers (varying price points).

Cubicle hardware

Stainless steel and aluminium.

Edge treatment

HPL
Matching ABS lipping.
ColourCoat
Edges are sprayed with one coat of primer and finished with 20% gloss pigmented polyurethane lacquer.

ColourCoat High Gloss

Edges are sprayed with one coat of primer and finished with 80% gloss pigmented polyurethane lacquer.

Veneer

Complementing ABS edging from the standard range.

Headrail (Infinite only)

Slimline profile satin anodised aluminium headrail with 3 part fixing system allowing cubicles to finish 20mm below ceiling height. Stainless steel end cap.

Cubicle hardware

Indicator bolt
Stainless steel indicator bolt with slimline mortice lock and unique emergency release function.

Hinge

Stainless steel effect aluminium hinge with outward opening option available.

Pedestal

Infinite: Adjustable stainless steel pedestal.
Infinite Full Height: Stainless steel effect aluminium fixing blocks to floor and ceiling.

Fixings

Partition to wall: satin anodised aluminium U-channel and Z-clips.

Pilaster to partition: stainless steel Z-clips.

Pilaster to wall: satin anodised aluminium U-channel and Z-clips.

Floor and ceiling fixing: stainless steel effect aluminium fixing blocks (Infinite Full Height only).

Accessories

Coat hooks and toilet roll holders available.