

CTV lever thermostatic shower valve mounted in box

ILLUSTRATED


S6933 (TM1) CTV concentric thermostatic mixing valve with extended lever, mounting box with stainless steel cover plate

ILLUSTRATED PRODUCT DETAILS

Weights

S6933 5.22 KG

Finishes

S6933  Stainless Steel finish (MY)

Materials

S6933 Chrome Plated & Stainless Steel

FINISH OPTIONS



(AC) White



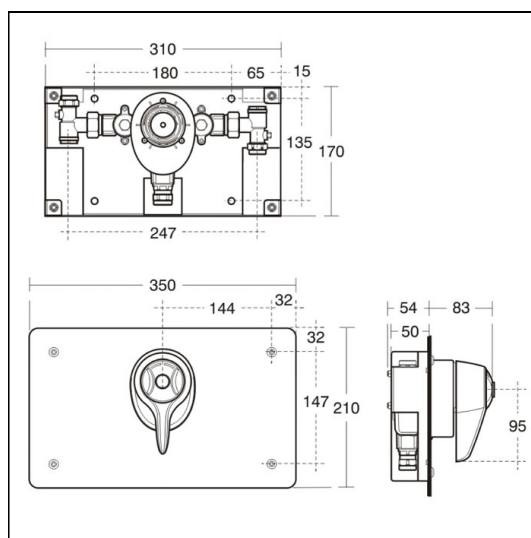
(MY) Stainless Steel finish

Standards

TMV3 Thermostatic Mixing Valve Scheme approved.
Meets the requirements of NHS Model Engineering Specification-D08 for Type 3 valves.

Special Notes

Operating pressures from 0.1 bar to 5.0 bar. Supplied complete with combined isolating and non-return valves with filters on inlets for 15mm copper.



ACCREDITATIONS



FEATURES

